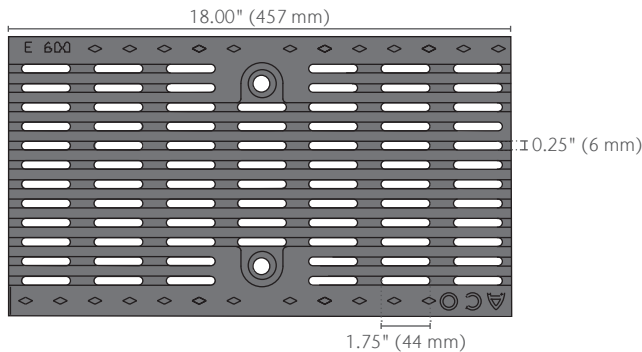


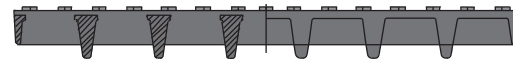
FG200 Longitudinal Ductile Iron Grate (ADA) Spec Sheet



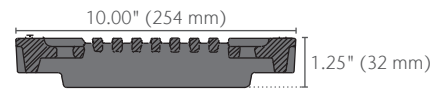
Top



Side



Front



Product Name	Part No.	Length in (mm)	Width in (mm)	Weight lbs
FG200 Longitudinal Ductile Iron Grate ADA	93893	18.00 (457)	10.00 (254)	25.2
Replacement Stainless Steel Hex Head Bolts (Qty 2)	93892	-	-	0.2

Specification Summary

General

The surface drainage system shall be ACO Drain FG200 channels complete with ACO FG200 Longitudinal Ductile Iron Grate ADA with bolt-locking as manufactured by ACO, Inc. or similar approved.

Materials

The covers shall be manufactured from ductile iron and have minimum properties as follows:

- Ductile iron to ASTM 536-84 - Grade 65-45-12.
- Intake area of 35.0 in² (225.8 cm²) per 18" of grate.

The overall width of 10.00" (254 mm) and overall length of 18.00" (457 mm). Slots measure 0.25" (6 mm) by 1.75" (44 mm).

Grates

Grate is longitudinal ductile iron. Ductile iron ASTM 536-84 - Grade 65-45-12. After removal of the grates there shall be uninterrupted access to the trench to aid maintenance.

Installation

The trench drain system and grates shall be installed in accordance with the manufacturer's installation instructions and recommendations.



ADA-compliant per The Americans with Disabilities Act of 2010, Section 302.3



EN1433 Load Class E
134,885 lbs – 2,785 psi



ASME: A112.6.3 : Section 7.12 Heel-resistant Strainers & Grates grate hole size ≤ 0.31" (8 mm)

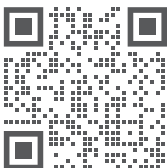


Australian Standard AS 3996 - 2006 Clause 3.3.6: max slot length dependent on slot width for grates that are deemed Bicycle Tire Penetration Resistant.

ACO, Inc.

© January 2026 ACO, Inc.

All reasonable care has been taken in compiling the information in this document. All recommendations and suggestions on the use of ACO products are made without guarantee since the conditions of use are beyond the control of the company. It is the customer's responsibility to ensure that each product is fit for its intended purpose and that the actual conditions of use are suitable. ACO, Inc. reserves the right to change products and specifications without notice.



info@acousa.com
www.acousa.com

